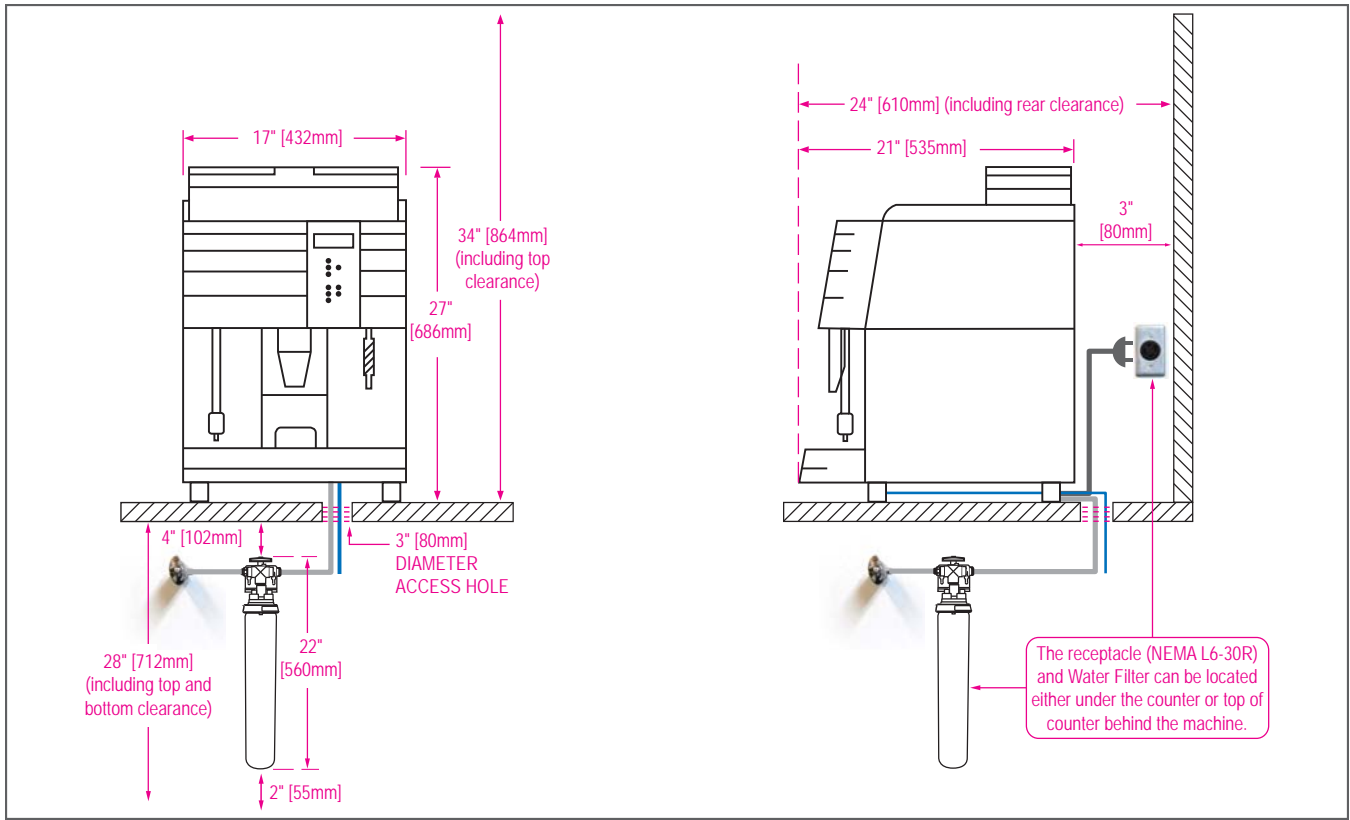


Ambiente PS Utility Specifications



POWER, WATER SUPPLY, AND ACCESS REQUIREMENTS

	<ul style="list-style-type: none"> • Receptacle type: NEMA L6-30R • 3 Prong twist-lock • Breaker panel: 30 Amp dedicated 220V single phase circuit • Actual maximum load: 24 Amps 		<p>The receptacle, water shut-off valve and drain pipe must be within 3 feet (36"/915mm) of the center of the location (footprint) of the machine.</p>
	<ul style="list-style-type: none"> • Access hole with collar (no sharp edges) • Located centrally under machine for water and drain hose • Diameter: Minimum 3"/80mm 		<p>Ideal undercounter space for softener: 30"/765mm (minimum requirement: 26"/660mm).</p>
	<ul style="list-style-type: none"> • Water shut-off valve with 3/8" compression fitting • Back flow preventer in accordance with local requirements 		
	<ul style="list-style-type: none"> • Drain pipe to floor drain • Copper or PVC in accordance with local health codes and regulations • Diameter: 1"/26mm or larger 		

Notes: Access hole is only required if any of the utility hook-ups are located under the counter.