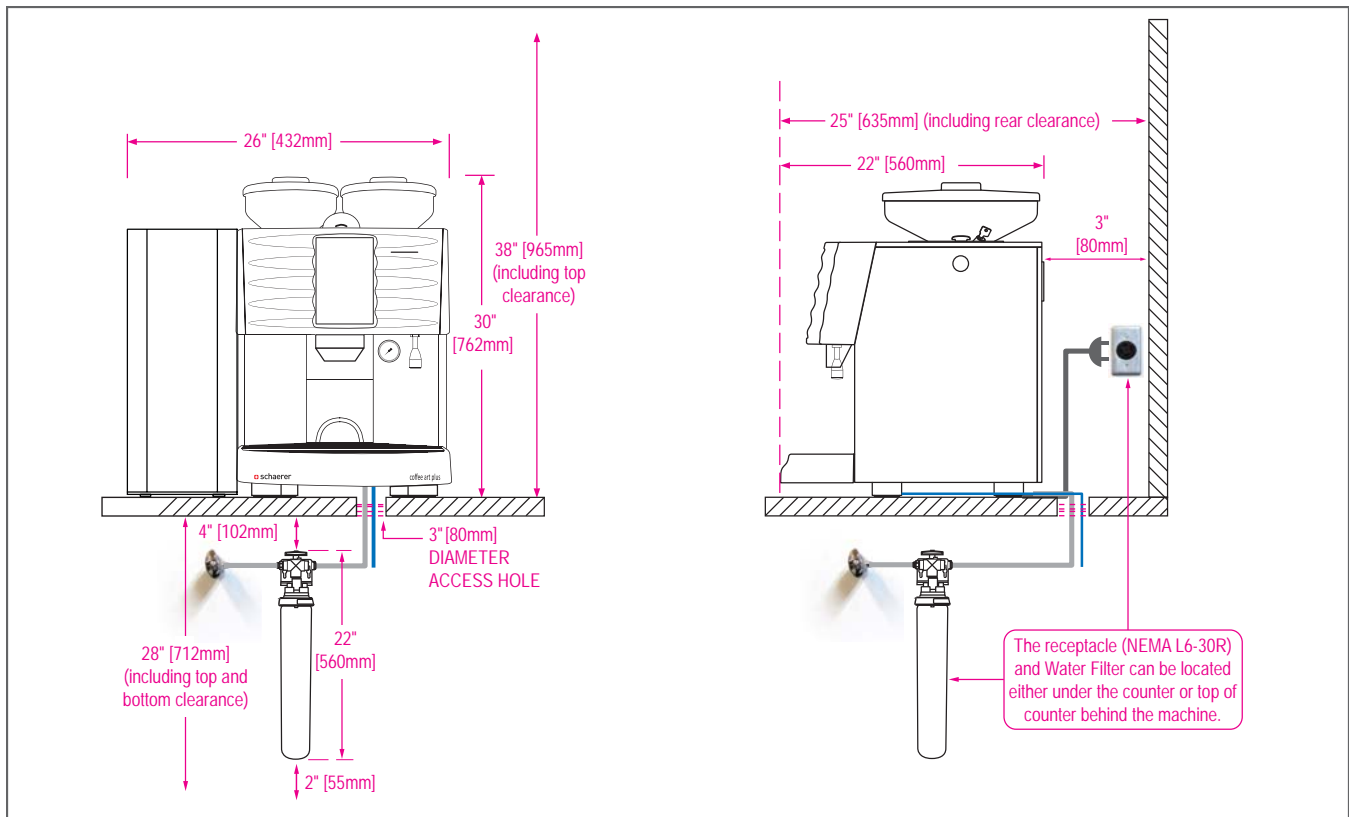


# Coffee Art TouchIT Utility Specifications



## POWER, WATER SUPPLY, AND ACCESS REQUIREMENTS

	<ul style="list-style-type: none"> <li>• Receptacle type: NEMA L6-30R</li> <li>• 3 Prong twist-lock</li> <li>• Breaker panel: 30 Amp dedicated 220V single phase circuit</li> <li>• Actual maximum load: 24 Amps</li> </ul>
	<ul style="list-style-type: none"> <li>• Access hole with collar (no sharp edges)</li> <li>• Located centrally under machine for water and drain hose</li> <li>• Diameter: Minimum 3"/80mm</li> </ul>
	<ul style="list-style-type: none"> <li>• Water shut-off valve with 3/8" compression fitting</li> <li>• Back flow preventer in accordance with local requirements</li> </ul>
	<ul style="list-style-type: none"> <li>• Drain pipe to floor drain</li> <li>• Copper or PVC in accordance with local health codes and regulations</li> <li>• Diameter: 1.5"/38mm or larger</li> </ul>



The receptacle, water shut-off valve and drain pipe must be within 3 feet (36"/915mm) of the center of the location (footprint) of the machine.

Ideal under counter space for softener: 30"/765mm (minimum requirement: 26"/660mm).

**Notes:** Access hole is only required if any of the utility hook-ups are located under the counter.